



DEPARTMENT OF REGULATORY AND ECONOMIC RESOURCES (RER)
BOARD AND CODE ADMINISTRATION DIVISION

MIAMI-DADE COUNTY
PRODUCT CONTROL SECTION
11805 SW 26 Street, Room 208
Miami, Florida 33175-2474
T (786) 315-2590 F (786) 315-2599

www.miamidade.gov/economy

NOTICE OF ACCEPTANCE (NOA)

Veka, Inc.
100 Veka Drive
Fombell, PA 16123

SCOPE:

This NOA is being issued under the applicable rules and regulations governing the use of construction materials. The documentation submitted has been reviewed and accepted by Miami-Dade County RER- Product Control Section to be used in Miami Dade County and other areas where allowed by the Authority Having Jurisdiction (AHJ).

This NOA shall not be valid after the expiration date stated below. The Miami-Dade County Product Control Section (In Miami Dade County) and/or the AHJ (in areas other than Miami Dade County) reserve the right to have this product or material tested for quality assurance purposes. If this product or material fails to perform in the accepted manner, the manufacturer will incur the expense of such testing and the AHJ may immediately revoke, modify, or suspend the use of such product or material within their jurisdiction. RER reserves the right to revoke this acceptance, if it is determined by Miami-Dade County Product Control Section that this product or material fails to meet the requirements of the applicable building code.

This product is approved as described herein, and has been designed to comply with the High Velocity Hurricane Zone of the Florida Building Code.

DESCRIPTION: PVC Privacy Fence Panels

APPROVAL DOCUMENT: Drawing No. S-4112, titled "PVC Privacy Fence", dated May 14, 2014, last revision #2 dated October 31, 2018, sheets 1 through 3 of 3, signed and sealed by Lyndon F. Schmidt, P.E. on October 31, 2018, bearing the Miami-Dade County Product Control Renewal stamp with the Notice of Acceptance number and the expiration date by the Miami-Dade County Product Control Section.

MISSILE IMPACT RATING: None

LABELING: Each fence panel shall bear a permanent label with the manufacturer's name or logo, city, state and the following statement: "Miami-Dade County Product Control Approved", unless otherwise noted herein.

RENEWAL of this NOA shall be considered after a renewal application has been filed and there has been no change in the applicable building code negatively affecting the performance of this product.

TERMINATION of this NOA will occur after the expiration date or if there has been a revision or change in the materials, use, and/or manufacture of the product or process. Misuse of this NOA as an endorsement of any product, for sales, advertising or any other purposes shall automatically terminate this NOA. Failure to comply with any section of this NOA shall be cause for termination and removal of NOA.

ADVERTISEMENT: The NOA number preceded by the words Miami-Dade County, Florida, and followed by the expiration date may be displayed in advertising literature. If any portion of the NOA is displayed, then it shall be done in its entirety.

INSPECTION: A copy of this entire NOA shall be provided to the user by the manufacturer or its distributors and shall be available for inspection at the job site at the request of the Building Official.

This NOA **renews NOA #18-1106.07** and consists of this page 1, evidence submitted pages E-1 & E-2 as well as approval document mentioned above.

The submitted documentation was reviewed by **Helmy A. Makar, P.E., M.S.**

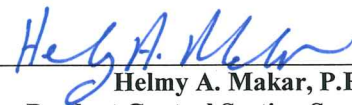


Helmy A. Makar
09/19/2019

NOA No. 19-0829.02
Expiration Date: 08/14/2024
Approval Date: 09/19/2019

NOTICE OF ACCEPTANCE: EVIDENCE SUBMITTED

- 1. EVIDENCE SUBMITTED UNDER PREVIOUS APPROVAL # 14-0605.09**
 - A. DRAWINGS**
 1. *Drawing No. S-4112, titled "PVC Privacy Fence", dated May 14, 2014, sheets 1 through 3 of 3, signed and sealed by Lyndon F. Schmidt, P.E. on June 09, 2014.*
 - B. TESTS**
 1. *Test Report # TEL 04401036, dated May 21, 2014, issued by Testing Evaluation Laboratories, Inc. for Series/Model 72" Tahoe II, PVC Fence Panels, signed and sealed by William B. Shelton, P.E. on May 27, 2014.*
 2. *Test Report # TEL 04401035, dated May 21, 2014, revised on June 11, 2014, issued by Testing Evaluation Laboratories, Inc. for Series/Model 72" Shadowbox, PVC Fence Panels, signed and sealed by William B. Shelton, P.E. on June 11, 2014.*
 - C. CALCULATIONS**
 1. *Fence and Post Analysis, dated May 27, 2014, one sheet, signed and sealed by Lyndon F. Schmidt, P.E. on May 27, 2014.*
 - D. QUALITY ASSURANCE**
 1. *By Miami-Dade County Department of Regulatory and Economic Resources.*
 - E. MATERIAL CERTIFICATIONS**
 1. *NOA #12-0106.01 for the plastic material specifications.*
 - F. STATEMENTS**
 1. *FBC, 2010 Edition compliance letter issued by R W Building Consultants, Inc., dated May 27, 2014, signed and sealed by Lyndon F. Schmidt, P.E. on May 27, 2014.*
- 2. EVIDENCE SUBMITTED UNDER PREVIOUS APPROVAL # 16-0125.05**
 - A. DRAWINGS**
 1. *Drawing No. S-4112, titled " PVC Privacy Fence ", dated 05/14/14, last revision #1 dated 01/11/16, sheets 1 through 3 of 3, signed and sealed by Lyndon F. Schmidt, P.E. on 01/11/16.*
 - B. TESTS**
 1. *None.*
 - C. CALCULATIONS**
 1. *None.*
 - D. QUALITY ASSURANCE**
 1. *By Miami-Dade County Department of Regulatory and Economic Resources.*



Helmy A. Makar, P.E., M.S.
Product Control Section Supervisor
NOA No. 19-0829.02
Expiration Date: 08/14/2024
Approval Date: 09/19/2019

Veka, Inc.

NOTICE OF ACCEPTANCE: EVIDENCE SUBMITTED

E. MATERIAL CERTIFICATIONS

1. *None.*

F. STATEMENTS

1. *FBC, 2014 Edition compliance letter issued by R W Building Consultants, Inc., dated January 11, 2016, signed and sealed by Lyndon F. Schmidt, P.E.*

3. NEW EVIDENCE SUBMITTED

A. DRAWINGS

1. *Drawing No. S-4112, titled " PVC Privacy Fence ", dated May 14, 2014, last revision #2 dated October 31, 2018, sheets 1 through 3 of 3, signed and sealed by Lyndon F. Schmidt, P.E. on October 31, 2018.*

B. TESTS

1. *None.*

C. CALCULATIONS

1. *None.*

D. QUALITY ASSURANCE

1. *By Miami-Dade County Department of Regulatory and Economic Resources.*

E. MATERIAL CERTIFICATIONS

1. *None.*

F. STATEMENTS

1. *FBC, 2017 Edition compliance letter issued by R W Building Consultants, Inc., dated October 31, 2018, signed and sealed by Lyndon F. Schmidt, P.E.*

3. NEW EVIDENCE SUBMITTED

A. DRAWINGS

1. *None.*

B. TESTS

1. *None.*

C. CALCULATIONS


1. *None.*

D. QUALITY ASSURANCE

1. *By Miami-Dade County Department of Regulatory and Economic Resources.*

E. MATERIAL CERTIFICATIONS

1. *None.*



Helmy A. Makar, P.E., M.S.
Product Control Section Supervisor
NOA No. 19-0829.02
Expiration Date: 08/14/2024
Approval Date: 09/19/2019

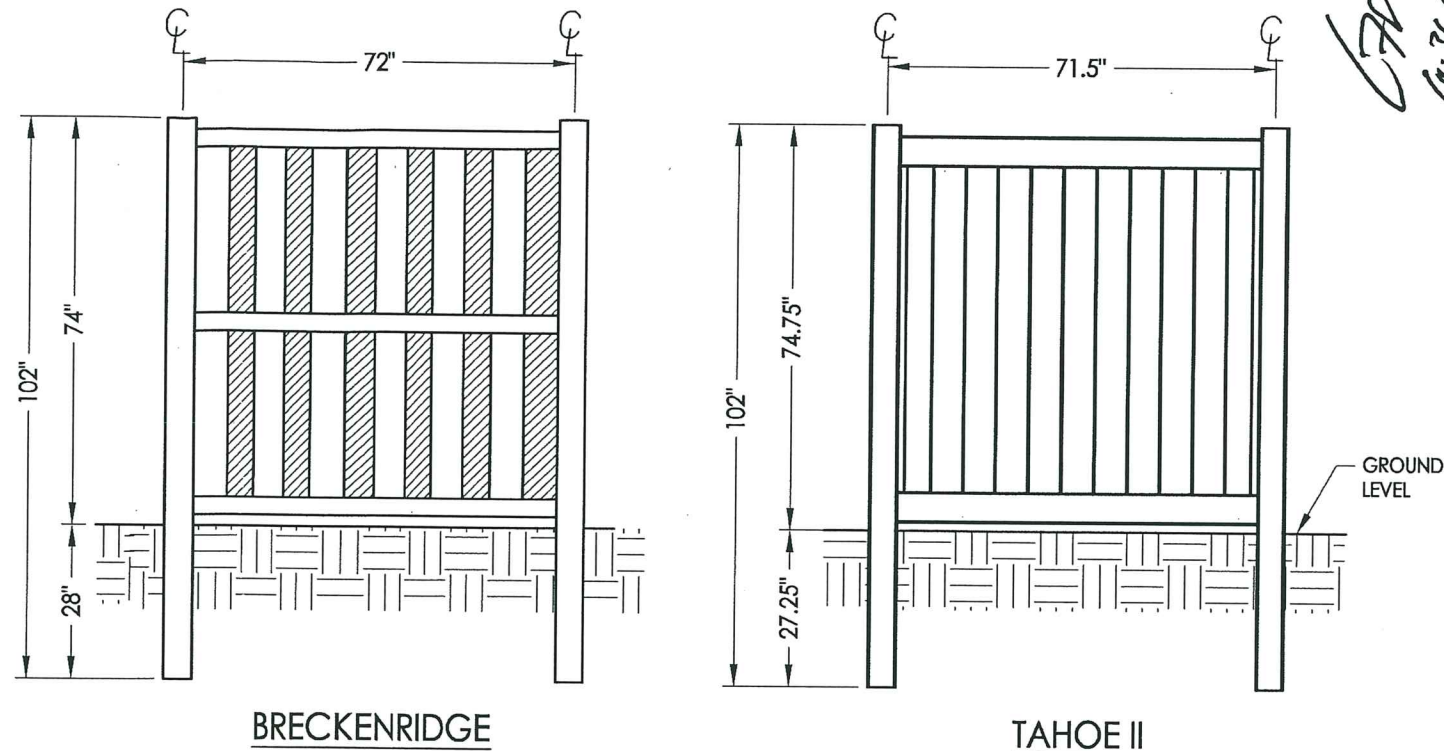


VEKA INC.
100 VEKA DRIVE
FOMBELL, PA 16123

PVC PRIVACY FENCE

GENERAL NOTES

1. This product is designed to comply with the 6th Edition 2017 Florida Building Code "High Velocity Hurricane Zone".
2. For wind load rating, see chart this sheet.
3. Installation of this fence shall be based on this product approval documents with no deviation from the conditions detailed on this document.
4. This Product Approval Document (P.A.D.) will be considered invalid if modified.
5. Site specific projects shall be prepared by a Florida Licensed Engineer or Architect which will become the Professional Of Record (P.O.R.) for the project and who will be responsible for the proper use of this P.A.D.
6. This fence manufacturer's permanent label shall be placed at each fence assembly. The permanent label shall read as follows:
VEKA, Inc.
Fombell, PA
Miami - Dade County
Product Control Approved
7. Tested in accordance with Metro-Dade County performance test requirements as reported in test report #'s TEL 04401035 & TEL 04401036 issued by Testing Evaluation Laboratory.
8. The fence post, rails and pickets are a coextruded part with a min. 0.020" (+/- .005") cap stock which contains "UV" inhibitors. All parts shall be made of PVC that is manufactured by VEKA, Inc. Refer to the PVC material specifications shown for the tested properties.



BRECKENRIDGE

TAHOE II

PVC Material Specifications	Test	PVC Properties
		White
Rate of Burning	ASTM D635	Class C-1
Self-Igntion Temperature (Spontaneous)	ASTM D1929	925°F > 650°F
Average Smoke Density Rating	ASTM D2843	43% < 75%
Tensile Strength (Difference Exposed & Unexposed)	ASTM 638	4.98% < 10%

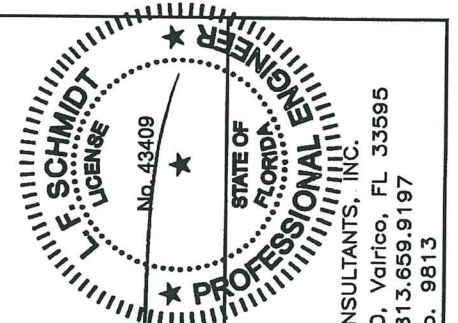
WIND LOAD RATING

This fence and its vertical supports are designed/tested for 75 mph fastest mile wind speed or 115 mph 3-second gust in compliance with Section 1616.2.1 of the Florida Building Code (Design Pressure = 17.71 psf).

PRODUCT RENEWED
as complying with the Florida
Building Code
Acceptance No 19-0829-02
Expiration Date 08/14/2024
By Heidi A. Miller
Miami Dade Product Control

PRODUCT REVISED
as complying with the Florida
Building Code
Acceptance No 18-1106-07
Expiration Date 08/14/2019
By Heidi A. Miller
Miami Dade Product Control

TABLE OF CONTENTS	
SHEET#	DESCRIPTION
1	Typical elevation & general notes
2	Tahoe II - picket fence details
3	Breckenridge - shadow box fence details



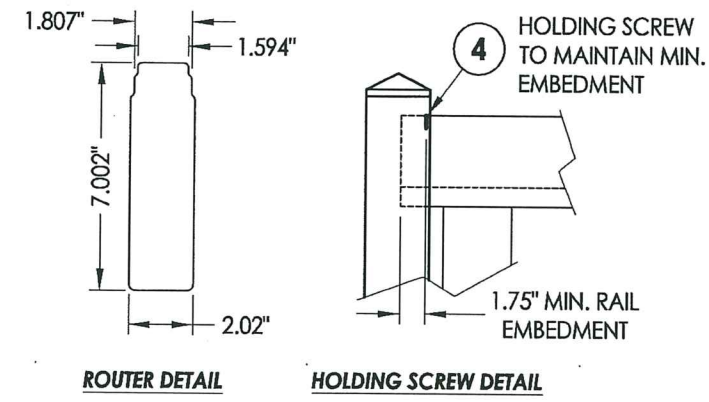
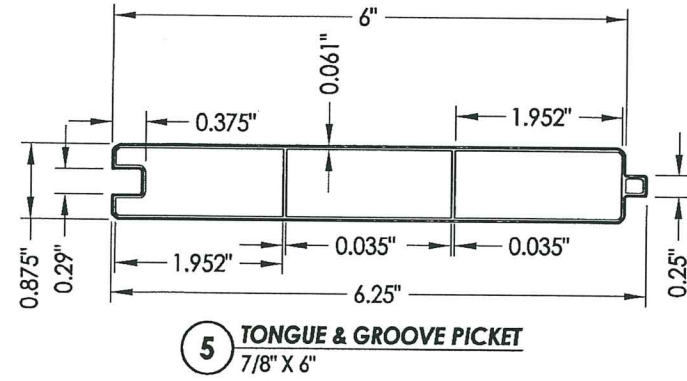
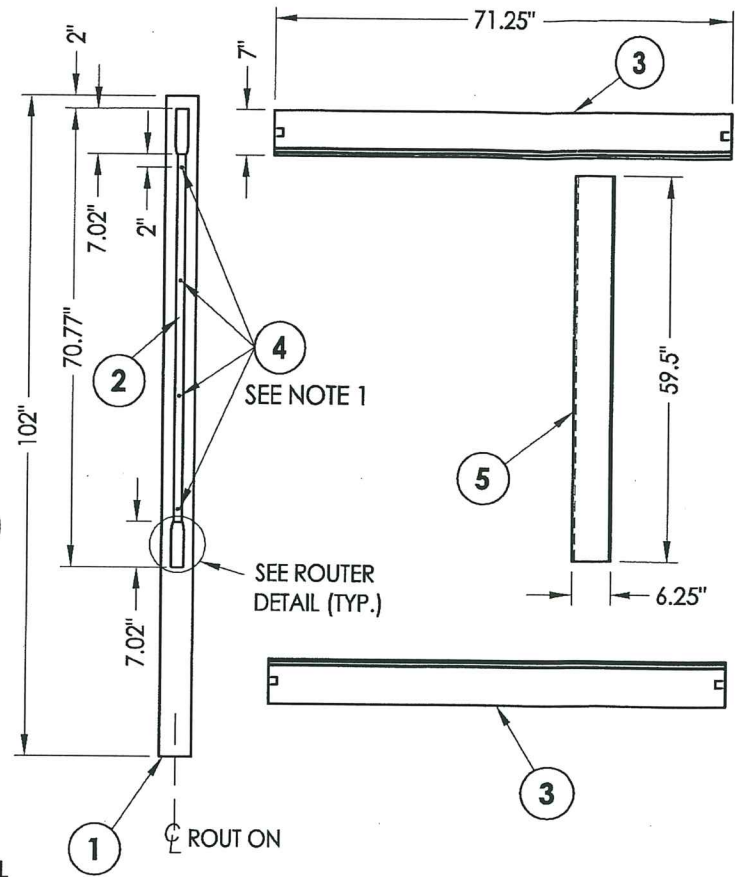
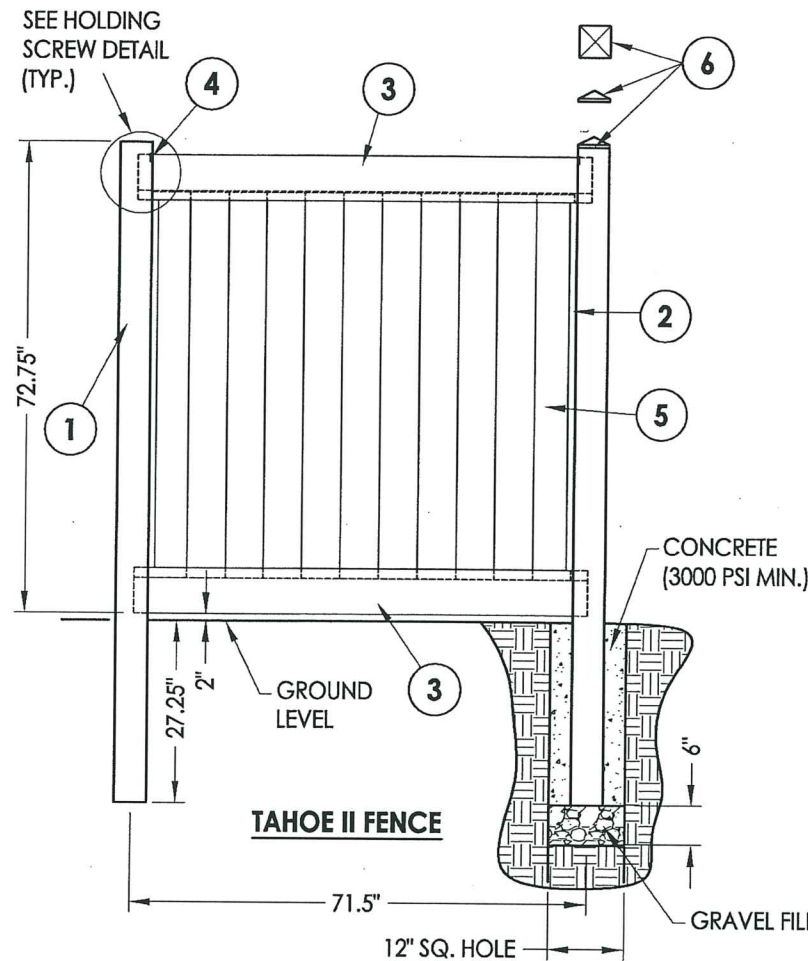
Documents Prepared By:
Lyndon F. Schmidt
P.E. No. 43409

R.W.
BUILDING CONSULTANTS, INC.
P.O. Box 230, Valrico, FL 33595
Phone No.: 813.659.9197
FBPE C.A. No. 9813

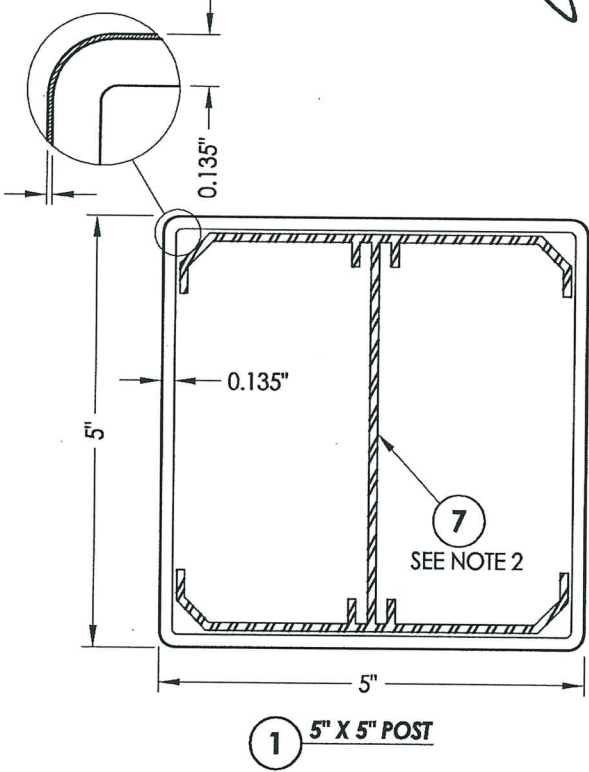
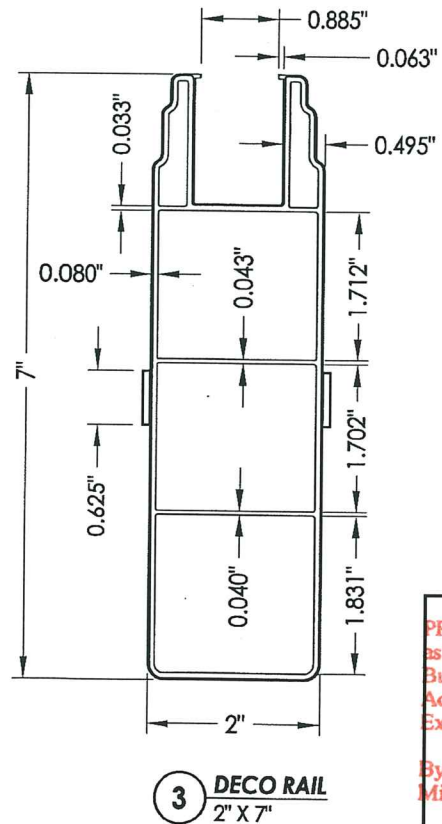
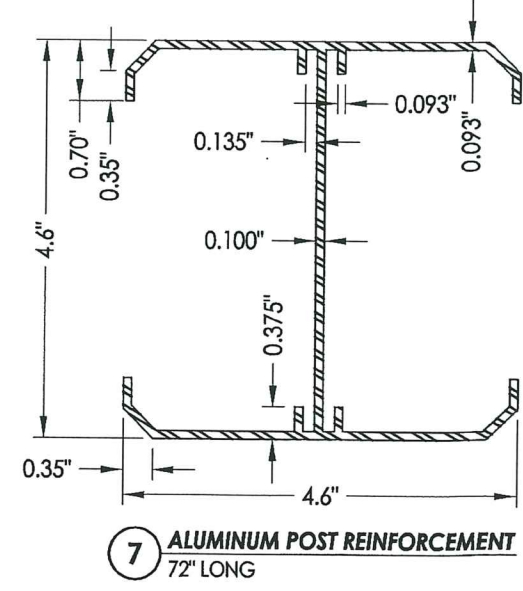
PRODUCT: PVC PRIVACY FENCE
PART OR ASSEMBLY: TYPICAL ELEVATIONS & GENERAL NOTES

NO.	DATE	BY	REVISIONS
2	10/31/18	LFS	UPDATE TO 6TH ED. 2017 FBC
1	01/11/16	LFS	UPDATE TO 5TH ED. 2014 FBC

DATE: 5/14/14
SCALE: N.T.S.
DWG. BY: JK
CHK. BY: LFS
DRAWING NO.: S-4112
SHEET 1 OF 3



- NOTES:**
1. U-CHANNEL IS ATTACHED TO THE FENCE POST w/ (4) #10 X 3/4" SELF-DRILLING TEK SCREWS LOCATED 2" FROM THE TOP & BOTTOM PLUS 2 MORE EQUALLY SPACED.
 2. REINFORCEMENT TO BE INSERTED INTO EACH POST AND MUST EXTEND TO THE BOTTOM OF POST.



BILL OF MATERIALS		
ITEM #	DESCRIPTION	MATERIAL
1	5" X 5" POST	PVC
2	U-CHANNEL	PVC
3	DECO RAIL	PVC
4	#10 X 3/4" PPH SELF-DRILLING TEK SCREW	STEEL
5	TONGUE & GROOVE PICKET	PVC
6	POST CAP	PVC
7	ALUMINUM POST REINFORCEMENT	6063-T6 ALUM

PRODUCT RENEWED
 as complying with the Florida Building Code
 Acceptance No. 19-0829.02
 Expiration Date 08/14/2024
 By: *Heidi A. Miller*
 Miami Dade Product Control

PRODUCT REVISED
 as complying with the Florida Building Code
 Acceptance No. 18-1106.07
 Expiration Date 08/14/2019
 By: *Heidi A. Miller*
 Miami Dade Product Control

DATE:	4/08/14
SCALE:	N.T.S.
DWG. BY:	JK
CHK. BY:	LFS
DRAWING NO.:	S-4112
SHEET	2 OF 3

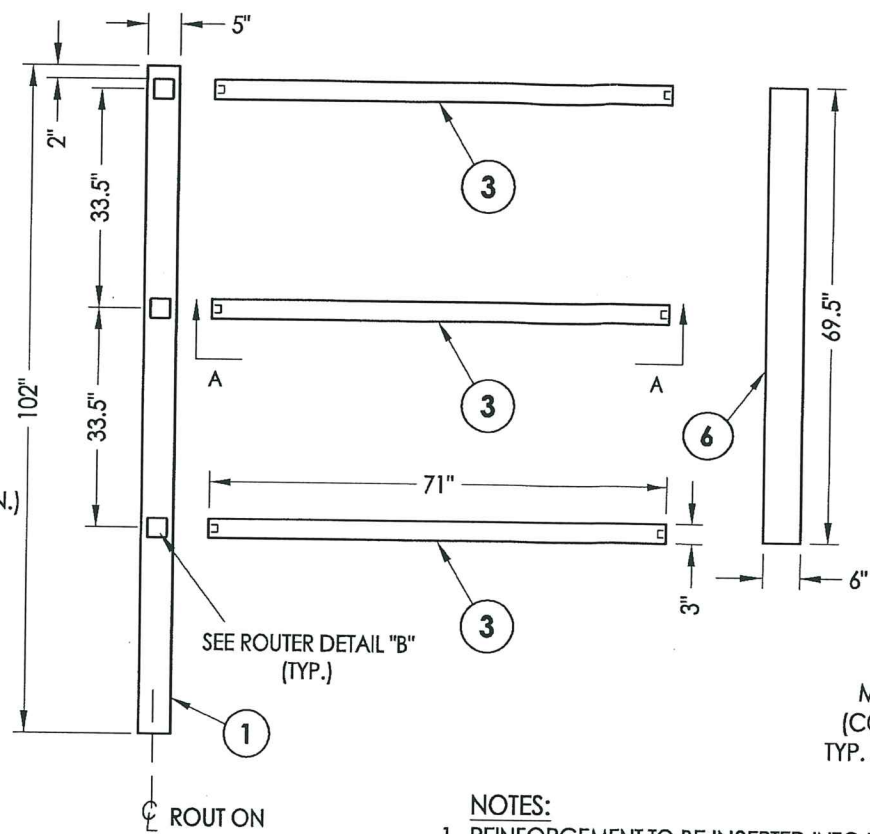
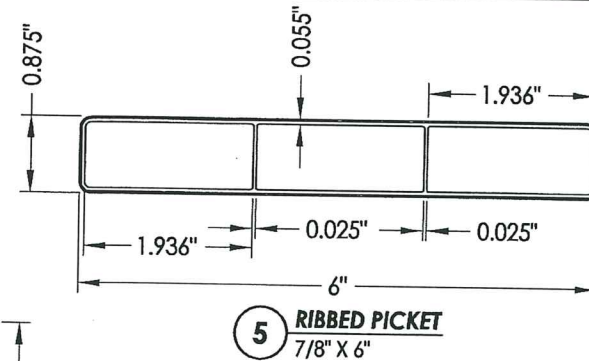
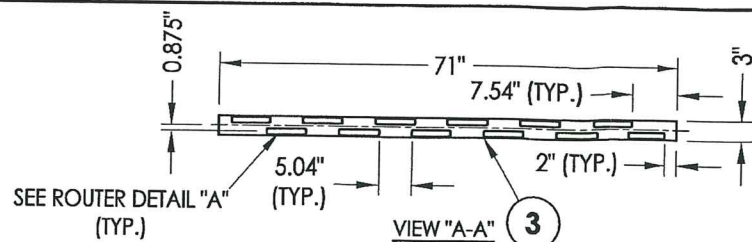
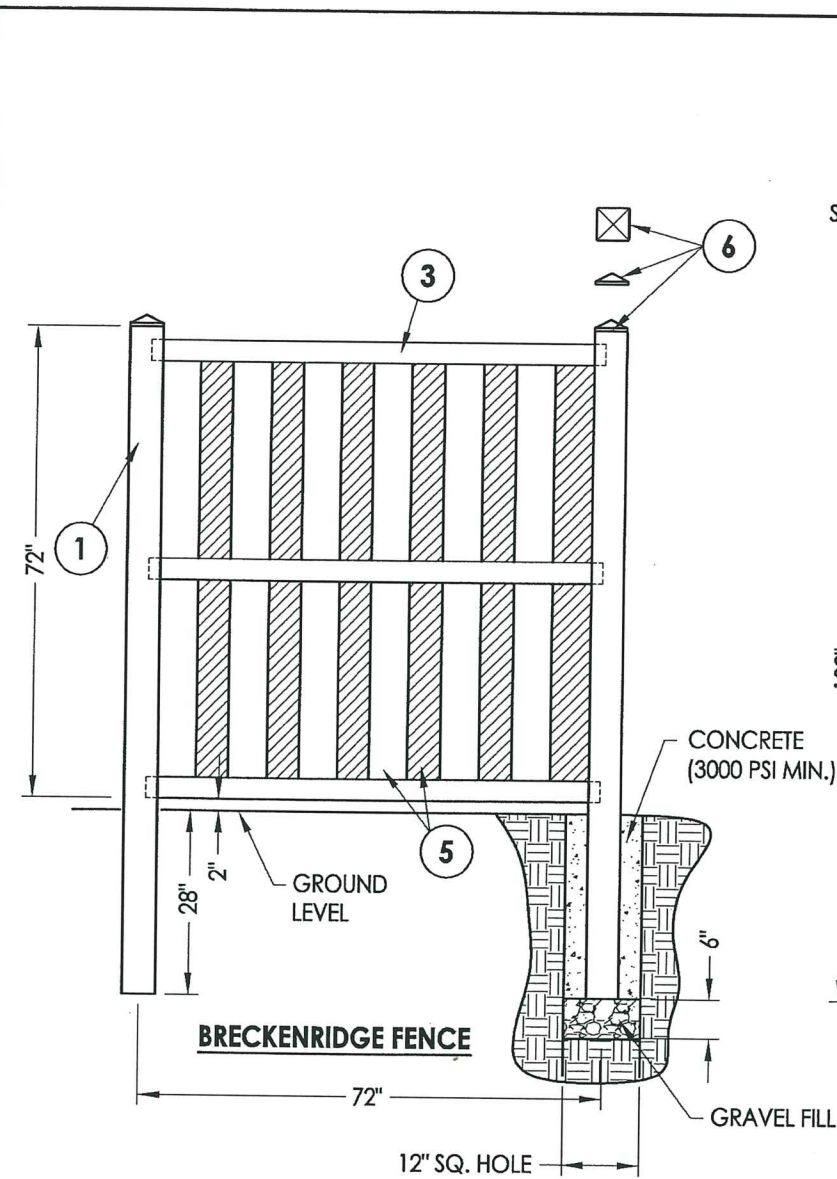
E. SCHMIDT
 LICENSE No. 43409
 STATE OF FLORIDA
 PROFESSIONAL ENGINEER

Documents Prepared By:
 Lyndon F. Schmidt
 P.E. No. 43409

RW
 BUILDING CONSULTANTS, INC.
 P.O. Box 230, Valrico, FL 33595
 Phone No.: 813.659.9197
 FBPE C.A. No. 9813

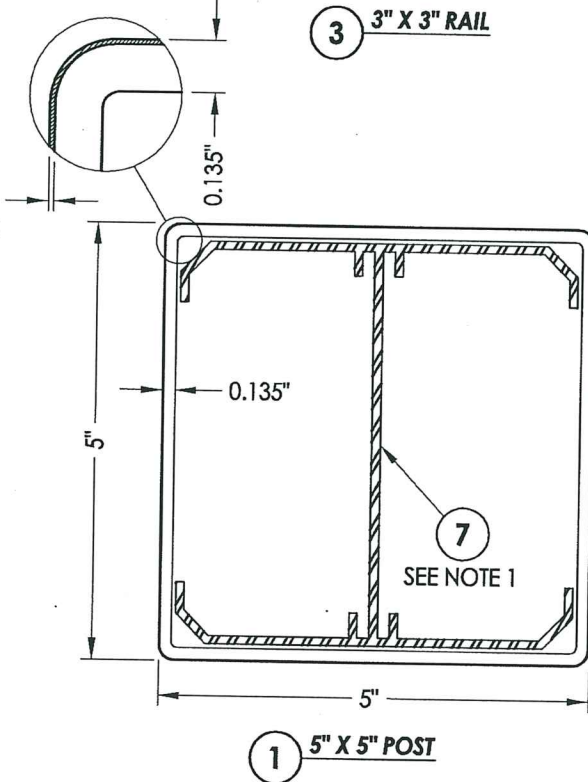
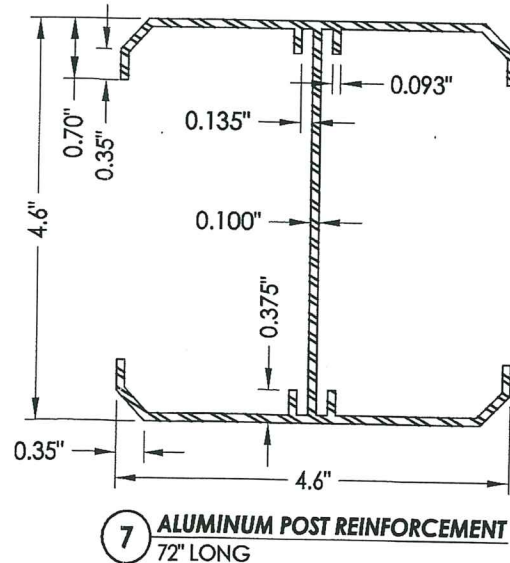
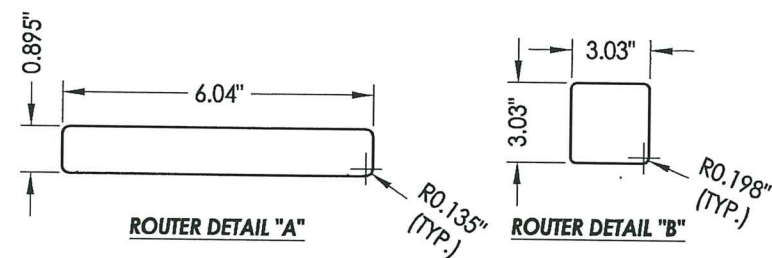
PRODUCT:	PVC PRIVACY FENCE
PART OR ASSEMBLY:	TAHOE II PICKET FENCE DETAILS

NO.	DATE	BY	REVISIONS
2	10/31/18	LFS	UPDATE TO 6TH ED. 2017 FBC
1	01/11/16	LFS	UPDATE TO 5TH ED. 2014 FBC



MIN. 0.020" CAP STOCK
(CONTAINS UV INHIBITORS)
TYP. ALL POST, RAILS & PICKETS

NOTES:
1. REINFORCEMENT TO BE INSERTED INTO EACH POST AND MUST EXTEND TO THE BOTTOM OF POST.

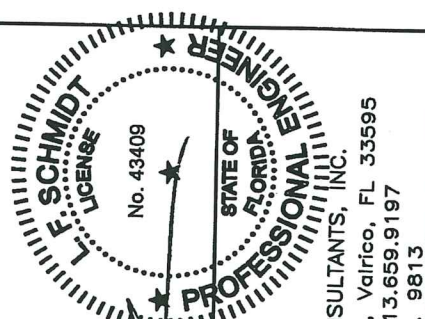


BILL OF MATERIALS		
ITEM #	DESCRIPTION	MATERIAL
1	5" X 5" POST	PVC
3	3" X 3" RAIL	PVC
5	RIBBED PICKET	PVC
6	POST CAP	PVC
7	ALUMINUM POST REINFORCEMENT	6063-T6 ALUM

PRODUCT RENEWED
as complying with the Florida
Building Code
Acceptance No 19-0829.02
Expiration Date 08/14/2024
By *Heidi A. Miller*
Miami Dade Product Control

PRODUCT REVISED
as complying with the Florida
Building Code
Acceptance No 18-1106.07
Expiration Date 08/14/2019
By *Heidi A. Miller*
Miami Dade Product Control

DATE:	4/08/14
SCALE:	N.T.S.
DWG. BY:	JK
CHK. BY:	LFS
DRAWING NO.:	S-4112
SHEET	3 OF 3



Documents Prepared By:
Lyndon F. Schmidt
P.E. No. 43409
RW
BUILDING CONSULTANTS, INC.
P.O. Box 230, Valrico, FL 33595
Phone No.: 813.659.9197
FBPE C.A. No. 9813

PRODUCT: PVC PRIVACY FENCE
PART OR ASSEMBLY: BRECKENRIDGE SHADOW BOX FENCE DETAILS

NO.	DATE	BY	REVISIONS
2	10/31/18	LFS	UPDATE TO 6TH ED. 2017 FBC
1	01/11/16	LFS	UPDATE TO 5TH ED. 2014 FBC